

KL 300 LED

Compact and bright



The KL 300 LED is a fiber optic light source with a LED light engine, developed and designed for industrial and life science applications in stereo microscopy and macroscopy.

The brightness is equivalent to a 30 W halogen cold light source.

Features:

- LED light engine.
- Wide range power supply (100 – 240 V, 50 – 60 Hz)
- International clip plug system.
- Convection cooling (no fan).
- Continuous dimming from 0 to 100 %.
- Mountable direct to microscope stands via respective adaptors or usable as stand-alone.
- Wide range of accessories available (KL 300 series).

| General data | | |
|------------------------------|---------------|-------------------------------------|
| Part-No. | | 120 300 |
| Dimensions (W x D x H) | (mm) / (inch) | 107 x 114 x 61 / 4.2" x 4.5" x 2.4" |
| Weight | (kg) | Approx. 0.35 |
| Cooling | | Convection |
| Electrical data | | |
| Operating voltage, frequency | | 100 – 240 V ~, 50 – 60 Hz |
| Input voltage | (V) | 9 |
| Power consumption | (VA) | max. 5 |
| Protection class | | II |
| Overvoltage category | | II |
| LED | | 1 high power LED white |
| LED life time | (h) | 50,000 ¹ |
| Illumination data | | |
| Luminous flux | (lm) | 80 ² |
| Color temperature | (K) | Approx. 5,600 |
| Light control | | Electrical |
| Active light guide diameter | (mm) / (inch) | Max. 6/max. 0.23" |
| Certification marks | | |
| Marking | CE | CE (power supply: CE, UL, PSE) |
| EMV-class | B | |

| Mounting adaptors | |
|-------------------|---------|
| Base stand | 158 340 |
| Mounting bracket | 120 250 |

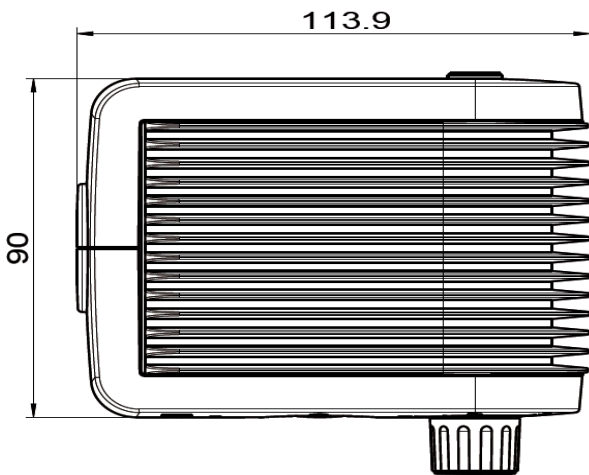
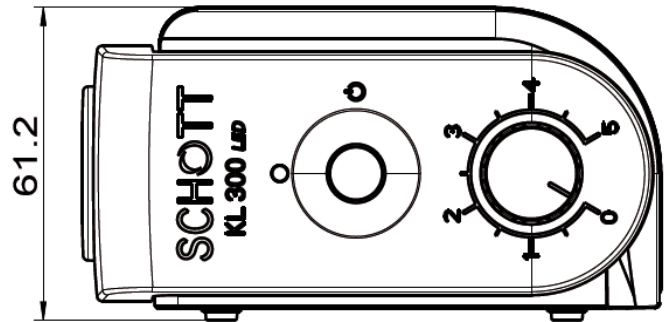
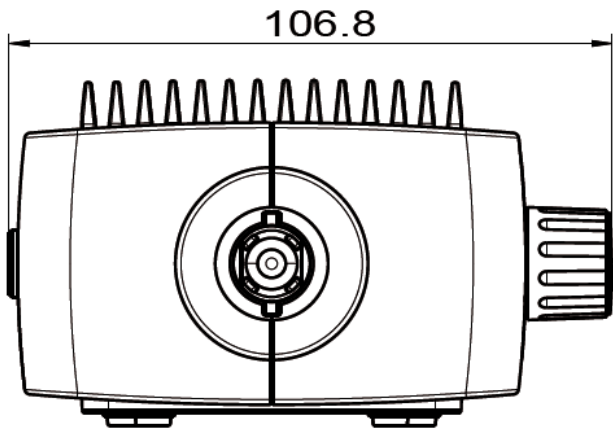
| Mounting adaptors | |
|--|---------|
| for microscope and swinging arm stands | |
| bracket for column Ø 25 mm (0.98") | 120 225 |
| bracket for column Ø 29 mm (1.14") | 120 229 |
| bracket for column Ø 32 mm (1.26") | 120 232 |
| bracket for column Ø 35 mm (1.38") | 120 235 |

¹ max. decline of light output to 70% of origin level

² at the output of SCHOTT fiber optic light guide, 1-arm, flexible, Ø 9 mm active, length 1000 mm



KL 300 LED



All specifications are subject to change without prior notice. This datasheet or any extracts thereof may only be used in other publications with express permission of SCHOTT. © SCHOTT AG

Lighting and Imaging
SCHOTT AG
Hattenbergstrasse 10
55122 Mainz
Germany
Phone: +49 (0) 6131/66-7796
Fax: +49 (0) 6131/66-7850
lightingimaging@schott.com
www.schott.com/lightingimaging

SCHOTT
glass made of ideas