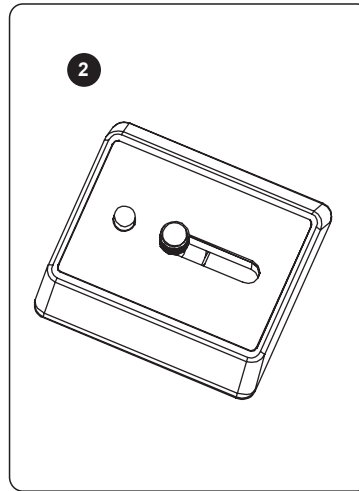
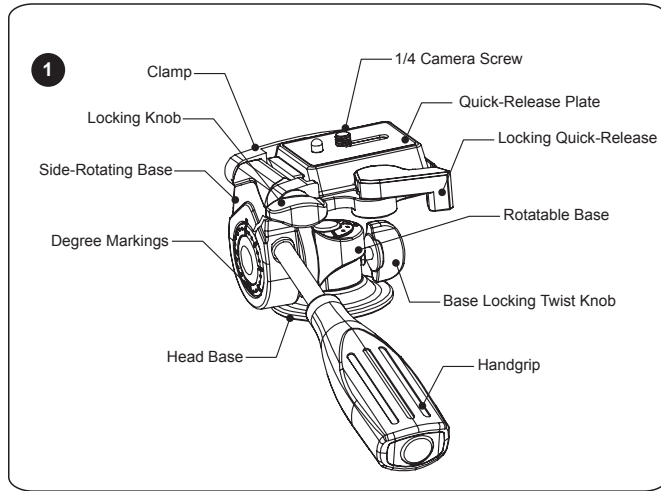


Orion® Tritech II Compact 3-Way Fluid Pan Head #5392



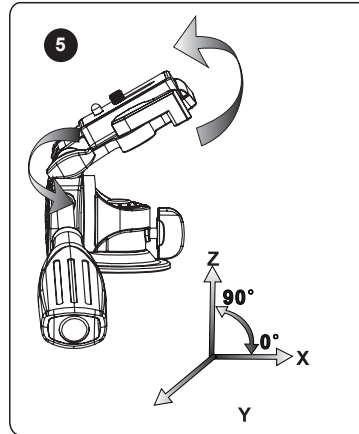
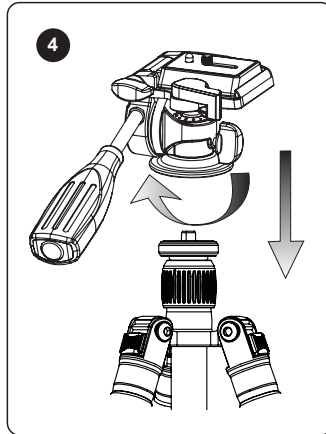
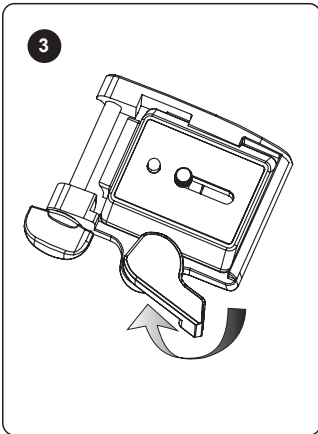
1 - Parts of the Tritech II Pan Head

2-3 - Mounting and Removing Quick-Release Plate

- To remove the quick-release plate, rotate the lock lever 90 degrees, then remove plate.
- Mount your camera, small spotting scope, or binocular tripod adapter on the quick-release plate with the captive 1/4"-20 screw.
- To re-install the quick-release plate, press it into the plate well until the locking lever snaps closed.

4 - Installing the Pan Head

Mount the head on the tripod by aligning the threaded socket under the head base with the threaded post on the tripod or monopod (sold separately), then rotate the head clockwise until it is firmly tightened.



5-7 - 3-Way Tilt Head Operation

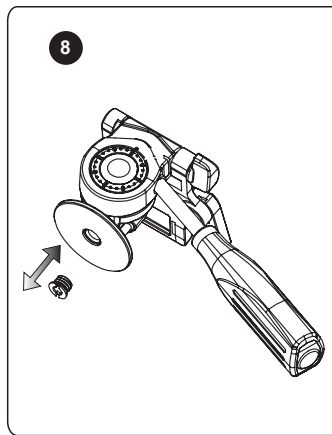
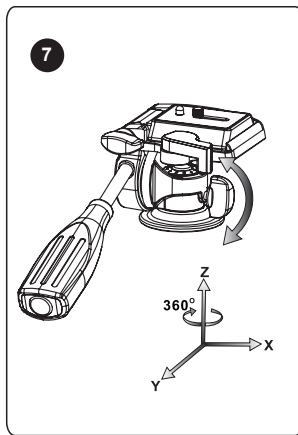
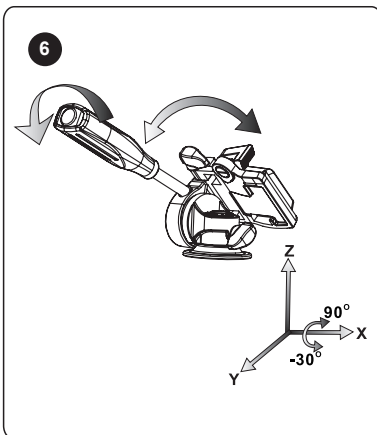
(5) To tilt the quick-release plate laterally up to 90° (vertical), loosen the locking knob by a half turn, then lift the plate to the desired angle before re-tightening the locking knob.

(6) To rotate the pan head up or down in altitude, turn the handgrip a half turn counterclockwise then lever the head up or down to the desired angle; the head can be rotated between -90° and +90° in altitude. Rotate the handgrip clockwise to retighten the altitude axis.

(7) To rotate the pan head left or right in azimuth, loosen the base locking a half turn or so, then move the head using the handgrip to the desired position. The head can be rotated 360° in azimuth.

8 - Convertible Nut

The hole in the bottom of the head base has a 3/8" thread. If your tripod or monopod has a 1/4"-20 threaded stud, you will need to thread the supplied 1/4" convertible nut into the hole in the head base. Use a coin or large flat-blade screwdriver to screw the slotted nut into the hole.



SPECIFICATIONS

3-Way pan head (360° azimuth, 180° altitude, 90° lateral tilt)

Material: Magnesium-aluminum alloy

Max. load: 11 lbs. (5kg)

Quick-release shoe: QR-20 (1/4"-20 post)

Mounting socket: 3/8" includes 3/8"-to-1/4" insert

Dimensions: 7.25" x 3" x 2.75"

Weight: 11.5 oz. (328g)



One-Year Limited Warranty

This Orion product is warranted against defects in materials or workmanship for a period of one year from the date of purchase. This warranty is for the benefit of the original retail purchaser only. During this warranty period Orion Telescopes & Binoculars will repair or replace, at Orion's option, any warranted instrument that proves to be defective, provided it is returned postage paid. Proof of purchase (such as a copy of the original receipt) is required. This warranty is only valid in the country of purchase.

This warranty does not apply if, in Orion's judgment, the instrument has been abused, mishandled, or modified, nor does it apply to normal wear and tear. This warranty gives you specific legal rights. It is not intended to remove or restrict your other legal rights under applicable local consumer law; your state or national statutory consumer rights governing the sale of consumer goods remain fully applicable.

For further warranty information, please visit www.OrionTelescopes.com/warranty.

Orion Telescopes & Binoculars

Corporate Offices: 89 Hangar Way, Watsonville CA 95076 - USA

Customer Support: www.OrionTelescopes.com/contactus

Copyright © 2016 Orion Telescopes & Binoculars

All Rights Reserved. No part of this product instruction or any of its contents may be reproduced, copied, modified or adapted, without the prior written consent of Orion Telescopes & Binoculars.